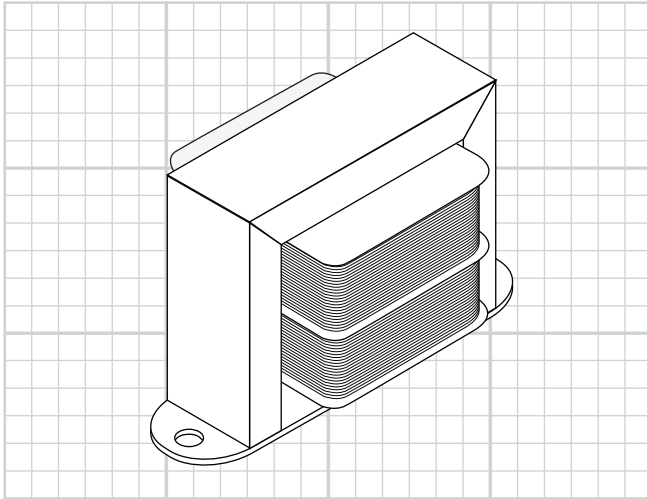


# Power Transformer

## Model TR-201



- Provide stable, clean, and reliable 18-20 VAC power for MAMAC transducers
- Split bobbin design for good isolation
- Available in more than seven different VA ratings to cover all power requirements
- Low cost - light weight

The TR-201 is designed to provide reliable and stable VAC power within specification for all MAMAC transducers. MAMAC is offering these transformers at a low cost to encourage single sourcing all components to further insure total system compatibility and trouble-free start-up. The TR-201 is available in various VA ratings to satisfy all possible load combinations.

### ORDERING INFORMATION: TR-201-

INPUT	VOLT/AMPS
1) 115 VAC 60 Hz	A) 3.0 VA
2) 220 VAC 50 Hz	B) 10.0 VA
3) 100 VAC 50 Hz	C) 20.0 VA
	D) 40.0 VA
	E) 80.0 VA

### TERMINATION:

- ① ----- Input 115/220/100 VAC
- ② ----- Input 115/220/100 VAC
- ③ ----- 18 - 20 VAC
- ④ ----- 10 - 20 VAC



8189 Century Boulevard • Minneapolis, MN 55317-8002 • USA  
 800-843-5116 • 952-556-4900 • Fax 952-556-4997  
 sales@mamacsys.com • www.mamacsys.com

Baird House, Units 6&7  
 Pensnett Estate • Kingswinford  
 West Midlands • DY6 7YA • United Kingdom  
 01384-271113 • Fax 01384-271114

4 Arminger Court, Unit 2  
 Holden Hill • S.A. 5088 • Australia  
 08-8395-4333 • Fax 08-8395-4433

155 McIntosh Drive, Units 5&6 • Markham  
 Ontario • L3R 0N6 • Canada  
 905-474-9215 • Fax 905-474-0876

No. 22 Lorong 21A Geylang # 11-02  
 Prosper Industrial Building  
 Singapore • 388421  
 656-3927273 • Fax 656-3927276