

Isolation Transformer

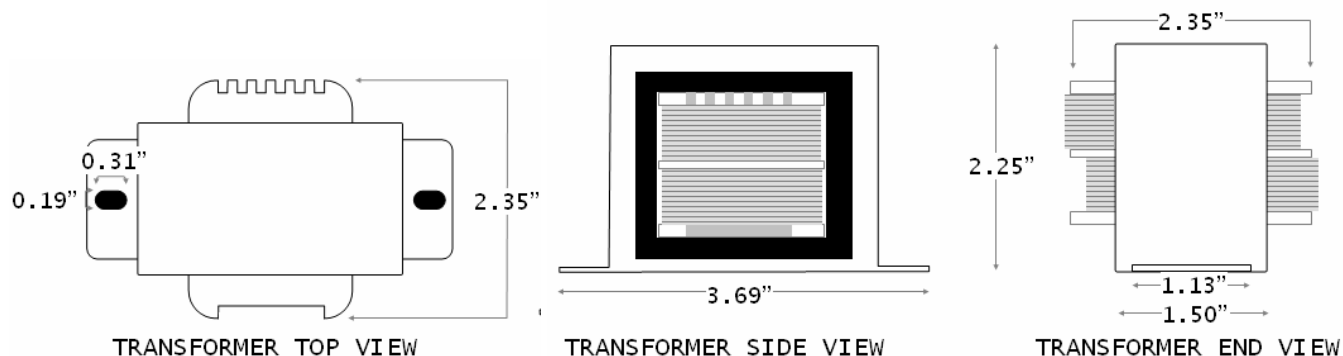
Model TR - 202 - A

FEATURES

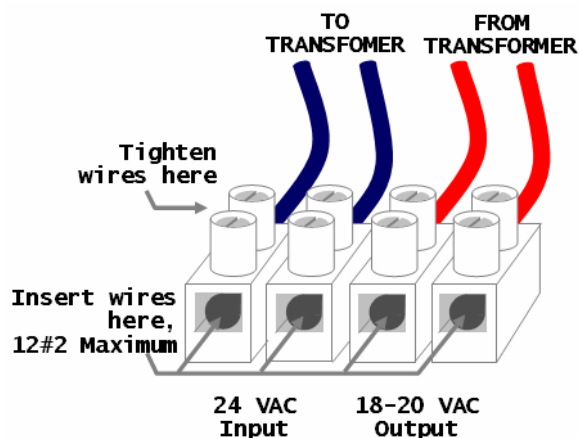
- Provides a stable, clean, reliable electrically isolated 18-20 VAC power supply for MAMAC Systems transducers.
- Split bobbin design for good electrical isolation.

The TR-202 is designed to provide reliable, stable electrically isolated 18-20 volts AC power for MAMAC Systems transducers. The TR-202 accepts 24-29 volts AC power supply and provides the electrically isolated 18-20 VAC output, which eliminates any ground loop problems. For this reason, system commissioning is simple and problems are minimized. MAMAC Systems offers these transformers to ensure optimal transducer operation and to facilitate trouble free start-up.

DIMENSIONS



WIRING



WIRING DIAGRAM (not to scale)



7400 Flying Cloud Drive • Minneapolis, MN 55344-3720 • USA
800-834-5116 • 952-835-1626 • Fax 952-829-5331
sales@mamacsys.com • www.mamacsys.com

Baird House, Units 6&7
Pensnett Estate • Kingswinford
West Midlands • DY6 7YA • United Kingdom
01384-271113 • Fax 01384-271114

4 Arming Court, Unit 2
Holden Hill • S.A. 5088 • Australia
08-8395-4333 • Fax 08-8395-4433

155 McIntosh Drive, Units 5&6 • Markham
Ontario • L3R 0N6 • Canada
905-474-9215 • Fax 905-474-0876

No. 22 Lorong 21A Geylang #11-02
Chin Hin Hang Building
Singapore • 388421
65-3927273 • Fax 65-3927276